

Installation Instruction

TA515 CASE, TA5450 CASE



ABB Automation Products GmbH
Eppelheimer Str. 82
69123 Heidelberg, Germany
Phone: +49 62 21 701 1444
Fax: +49 62 21 701 1382
E-Mail: plc.support@de.abb.com
www.abb.com/PLC



Warning!

This training case is only intended to be used by skilled persons aware of the risks using electrical equipment and knowing the technical rules, codes and relevant standards.



Warning!

This training case is only intended to be used for demonstration and training activities, and it must not be used for industrial applications.



Warning!

This training case is a class A device for EMC, because the main components (e.g. PLC) inside are designed for industrial applications. It can cause radio-interference in residential areas.



Warning!

This training case must only be used with the delivered power supply adapter. The use of another power supply is prohibited.



Warning!

The operating temperature for training case is 0 °C ... + 40 °C



Important!

Please refer to the "Regulations concerning the Setting up of Installations" for safety instructions. http://search-ext.abb.com/library/Download.aspx?DocumentID=3ADR025003*&Action=Launch



System setup

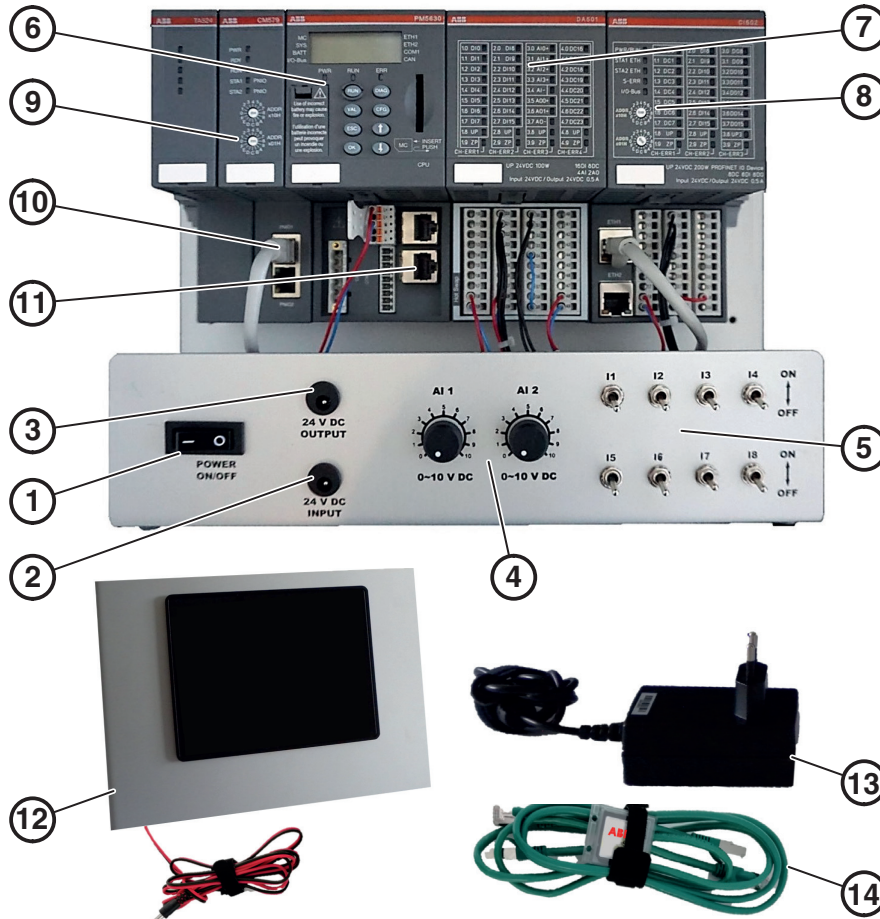
Take system out of the case and place upright. Connect the power adapter (13) to the wall socket and the cable plug to the power input socket (2). Connect the panel (12) power supply cable to the output socket (3). Connect an Ethernet cable (14) on one side on panel (12) Ethernet socket ETH0 and the other side to the terminal base Ethernet socket (11). After switching on the power switch (1), the system starts loading the PLC and the panel program. The system is now ready to use the demo program.

Features of demo program

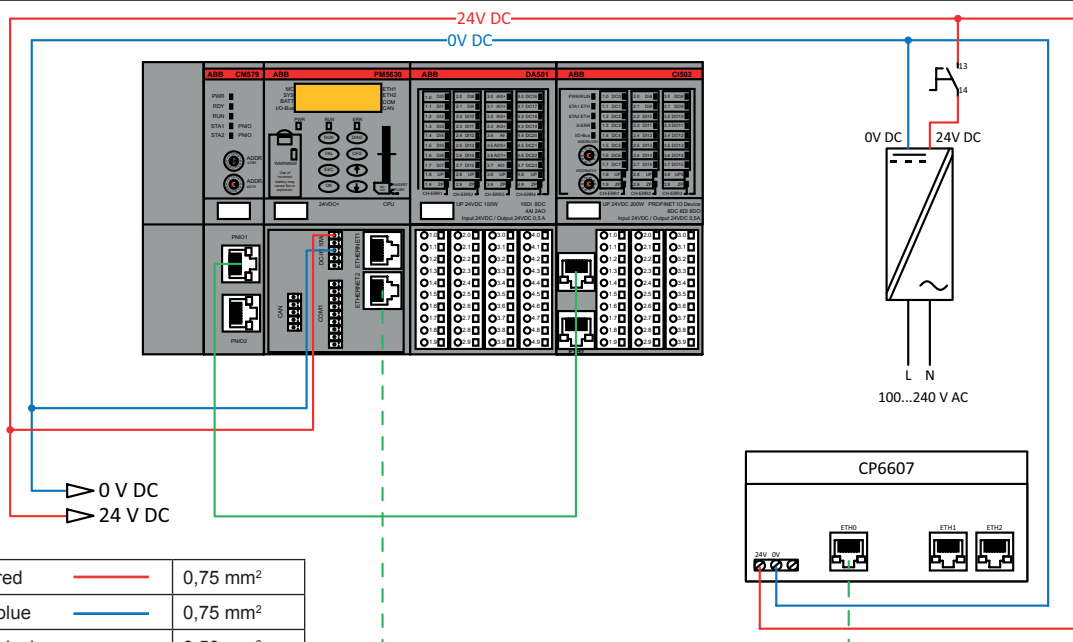
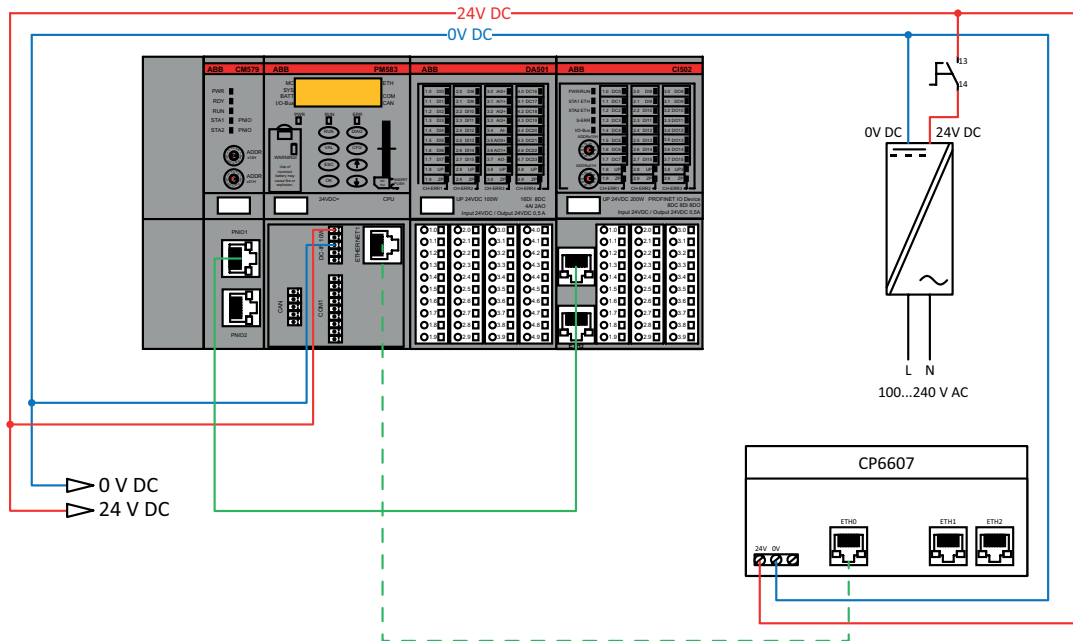
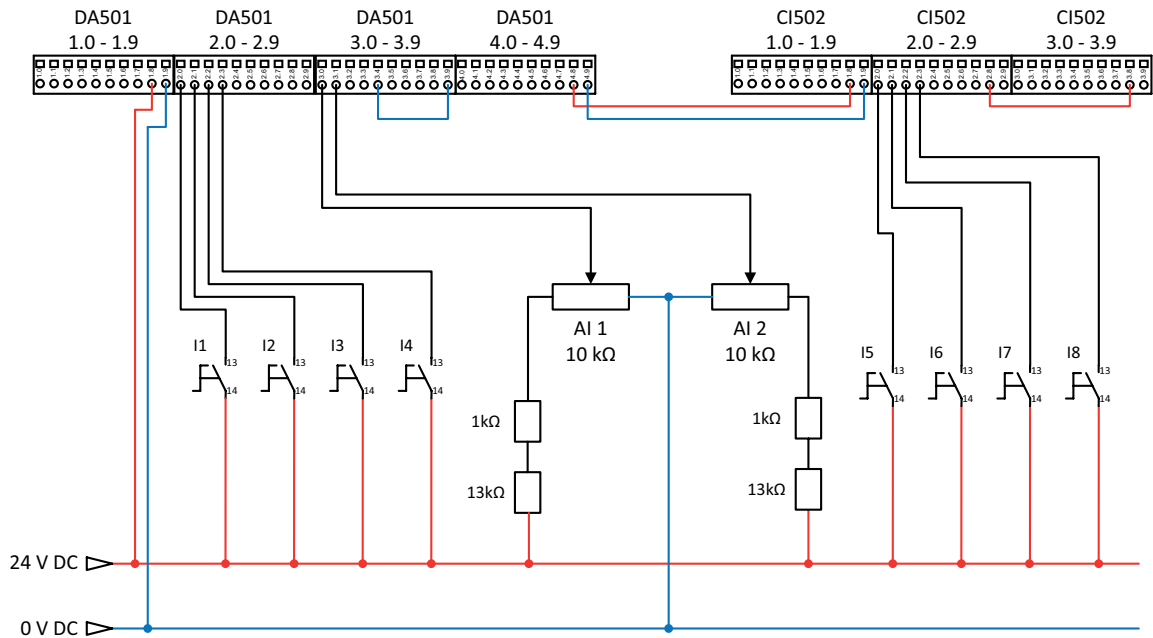
The demo is ready for use when the CPU display is showing „run“ and the panel screen shows „CP600-Pro Demo Project“. Touching „Training Case“ opens the visualization of the input states of the I/O channels. The input status on the screen changes when potentiometer (4) or switches (5) are operated. The demo program in the PLC reads inputs and copies the input state to outputs. On the I/O modules can be observed that the status LED of outputs are following the input status. Touching the house symbol (upper right corner) closes the demo visualization. The other buttons on the panel screen open demos for features of the panel.

Restoring demo program

The training case is delivered with demo program installed. If needed, the demo program can be restored from the SD card. The QR code opens the operation instruction explaining configuration of components and procedure for loading the demo program into PLC and panel.



	TA515 CASE	TA5450 CASE
①	24V DC Power switch	
②	24V DC Power input socket	
③	24V DC Power output socket	
④	2 Potentiometers	
⑤	8 Switches	
⑥	CPU PM583-ETH	CPU PM5630-2ETH
⑦	Analog/digital I/O module DA501	
⑧	Communication interface module CI502-PNIO	
⑨	Communication module CM579-PNIO	
⑩	PROFINET connection	
⑪	TB521-ETH Ethernet Plug ETH1 for Panel connection	TB5620-2ETH Ethernet Plug ETH2 for Panel connection
⑫	Panel with power supply cable	
⑬	Power adapter	
⑭	Ethernet cables and SD card containing demo program	



Power (L+)	red	—	0,75 mm ²
Power (M)	blue	—	0,75 mm ²
I/O signals	black	—	0,50 mm ²
PROFINET	green	—	
Ethernet	green	- - -	